

Saddle Stitching System
YS-6000

*High-speed saddle
stitching, from books
to pamphlets.*

■ Features

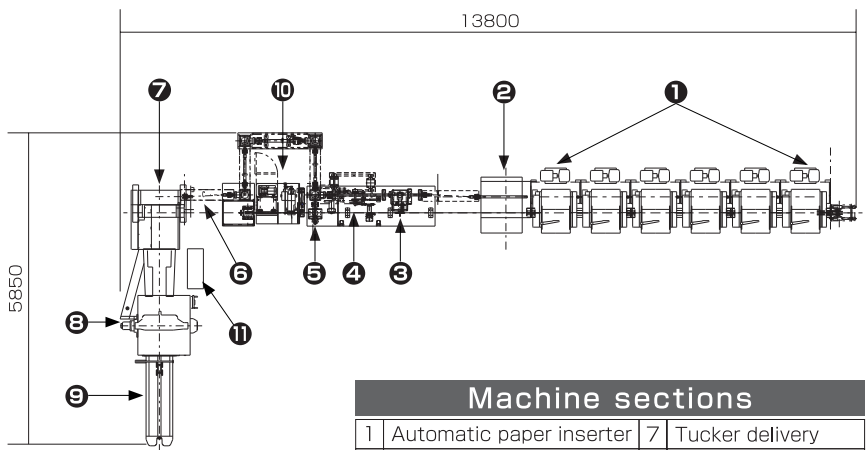
- Revolutionary bottom-side stitch approach remarkably improves the line layout.
- Saddle-stitch signature inserter can be attached for large batches
- Chain stitching single-stage machine can process 3,500 - 5,000 pieces per hour, with strong sewing power for paper thicknesses of 3 - 4 mm.
- Touch panel for convenient operation. Equipped with sensors that shut down the machine before serious trouble occurs.



Saddle Stitching System YS-6000

Summary

The system accomplishes full sewing of book signatures, with an automatic inserter, misfeed detector, delivery mechanism, stitching and three-side trimming machines.



Machine sections	
1	Automatic paper inserter
2	Cover applier
3	Caliper
4	Reject ejector
5	Feeder
6	Receiver
7	Tucker delivery
8	Three-side trimmer
9	Delivery conveyor
10	Stitching unit
11	Control panel

Specifications

▼Name

Saddle Stitching System

▼Model

Saddle stitching machine: YS-6000

▼Dimensions

13,800×5,850mm

▼Speed

Using saddle stitching machine:
3,500 - 5,000 pieces/hour

▼Work Dimensions

Automatic paper inserter

Min Height: 110mm, Width:95mm

Max Height: 480mm, Width:314mm

Saddle stitching machine

Min Height: 150mm, Width:150mm

Max Height: 420mm, Width:300mm

Three-side trimmer

Min Height: 148mm, Width:105mm

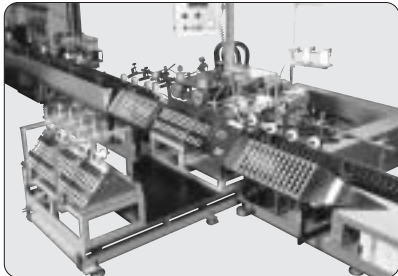
Max Height: 420mm, Width:297mm

▼Power Capacity

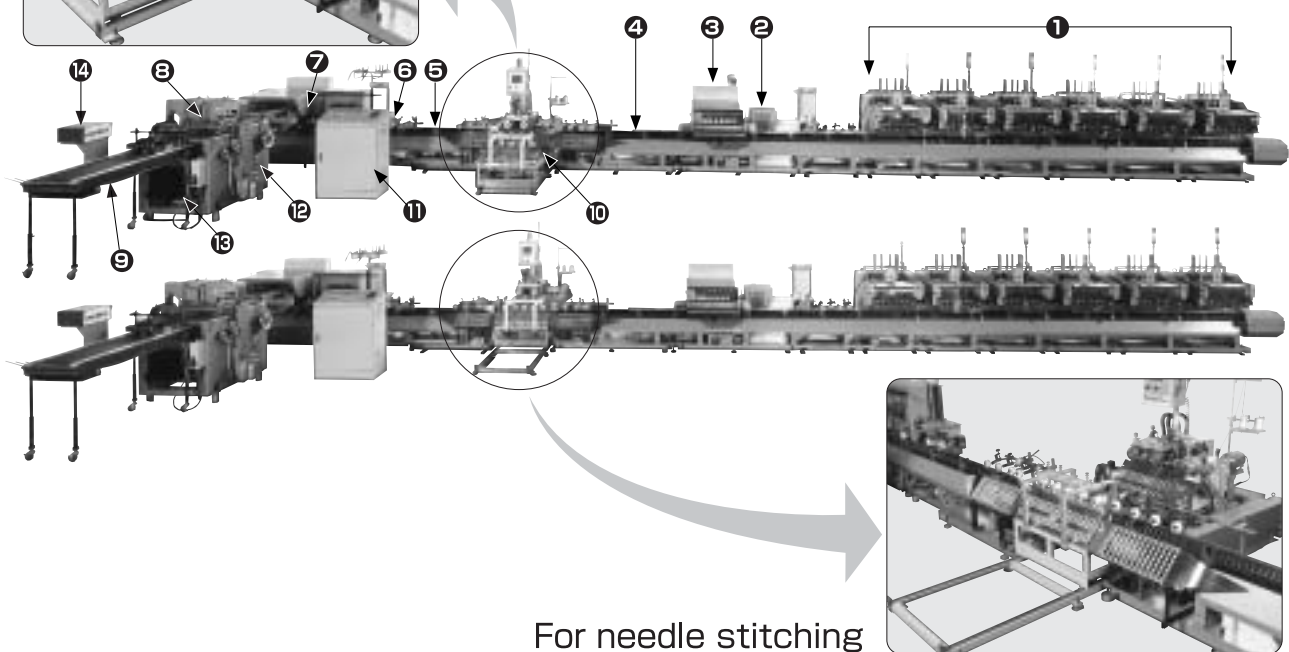
3-phase 200V, 10.5kw

Option (saddle stitching machine combination)

when saddle stitching machine used



Machine sections	
1	Automatic paper inserter
2	Caliper 1
3	Reject ejector
4	Feeder
5	Receiver
6	Caliper 2
7	Saddle stitching machine
8	Three-side trimmer
9	Delivery conveyor
10	Stitching unit
11	Control panel
12	Interrupt control panel 1
13	Interrupt control panel 2
14	Conveyor control panel



For needle stitching